



OFF BOARD RANGEHOOD SOLUTIONS by GLEM GAS

MODEL GQA85UC 85cm Under Cupboard Rangehood - Off board motor.



Functions and features

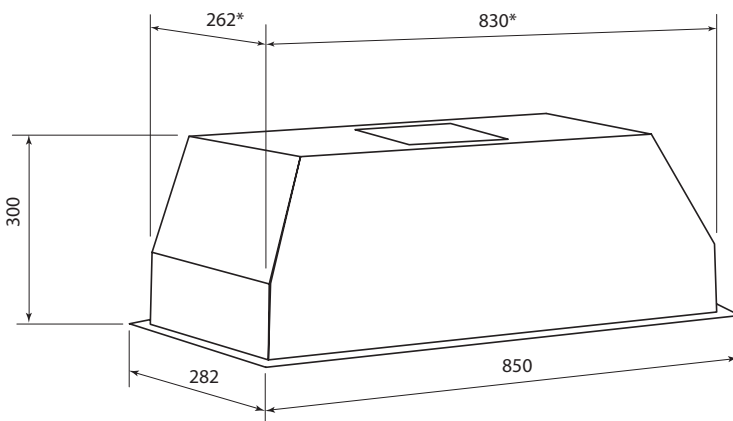
- 1200 cubic metres per hour extraction
- Ceiling cavity motor for silent operation
- Low consumption LED strip light NEW
- Outlet diameter 150 mm
- 3 Speed fan
- 2 dishwasher safe stainless steel filters
- Oil collection tray
- 2 year warranty - 7 year motor warranty
- Ready to go. Easy to install.



Full installation kit included except external vent
 2 Lengths of ducting 2m + 2.5m
 Cable length Motor unit to rangehood = 3.5 m
 Packaging details

Weight KG	Length M	Width M	Height M
24.2	0.92	0.685	0.382

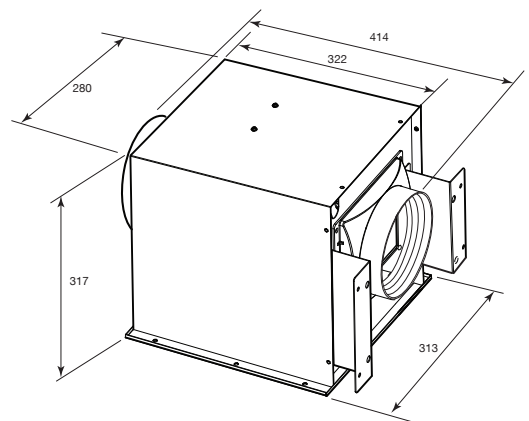
Under cupboard rangehoods are discreet and hidden from view. They install in the cupboard that overhangs the cooktop. This allows the kitchen designer to design an uninterrupted run of cupboards creating a modern contemporary kitchen design. Overhead cupboards sometimes only protrude 30cm over the cooktop and in that instance, when cooking intensely, use the rear burners to allow the undercupboard rangehood to be most effective in extracting cooking residues.



* allow 5mm clearance for installation

Please note:

Every effort has been made to ensure this information is correct. However, due to constant product improvement we reserve the right to make changes to products without prior notice.



Remote fan motor goes into ceiling space.
 NOTE: Check that you home has a ceiling space above the kitchen to locate the motor.